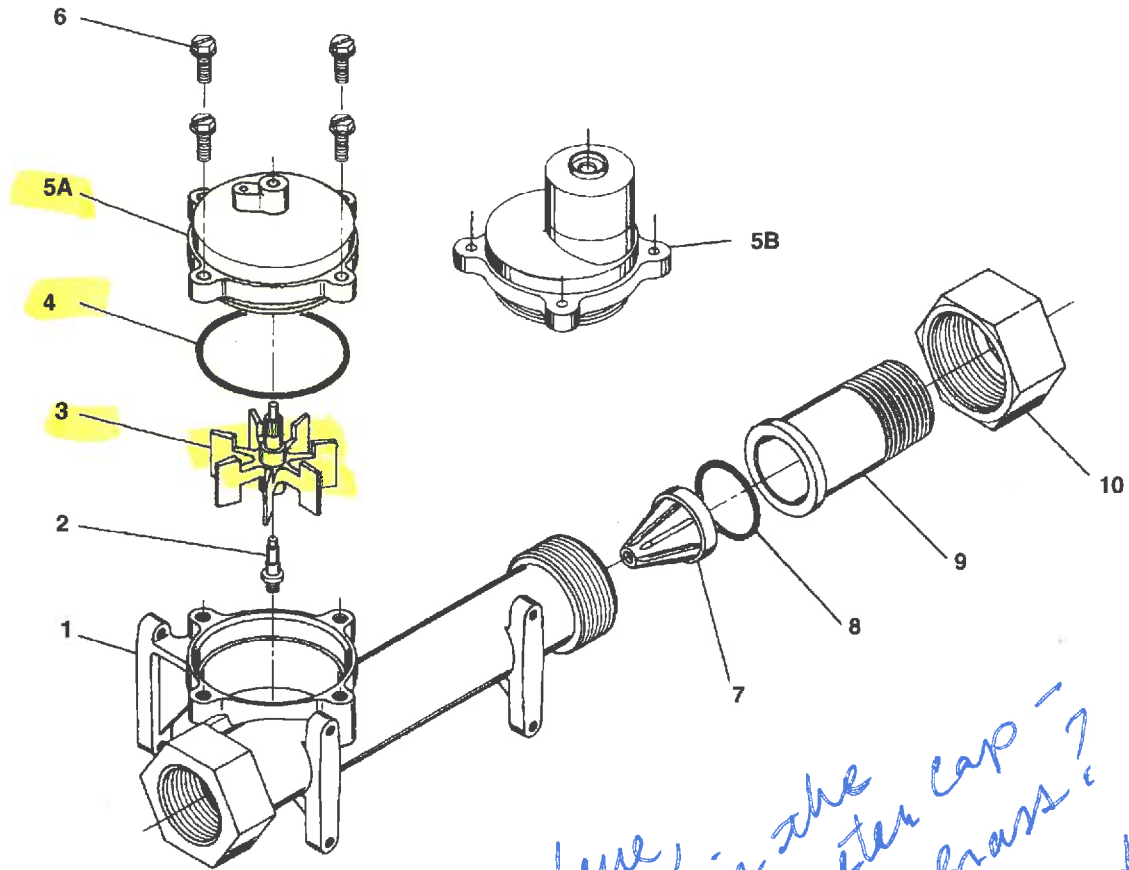


MODEL 2850 ECONOMINDER®

1-1/2" Meter Assembly

(See Opposite Page for Parts List)



Steve,
what is the cap -
meter & meter cap -
plastic or brass?
standard or extended
range meters?

MODEL 2850 ECONOMINDER®

1-1/2" Meter Assembly

Parts List

Item No.	Quantity	Part No.	Description
1.....	1	17569	Meter Body
2.....	1	13882	Post, Impeller
3.....	1	13509	Impeller
4.....	1	13847	O-Ring — Meter Cover
5A.....	1	15218	Meter Cover Assembly (Std.)
5B.....	1	15237	Meter Cover Assembly (Extended Range)
6.....	4	12112	Screw Meter Cover
7.....	1	17542	Flow Straightener
8.....	1	12733	O-Ring — Quick Connect
9.....	1	17544	Nipple — Quick Connect
10.....	1	17543	Nut — Quick Connect